

Drawing



Tools for Chefs

Hendi B.V.  
Steenoven 21  
3911 TX Rhenen  
The Netherlands

Batch #

000000 until  
HK052719

Appliance part#

264300

Description

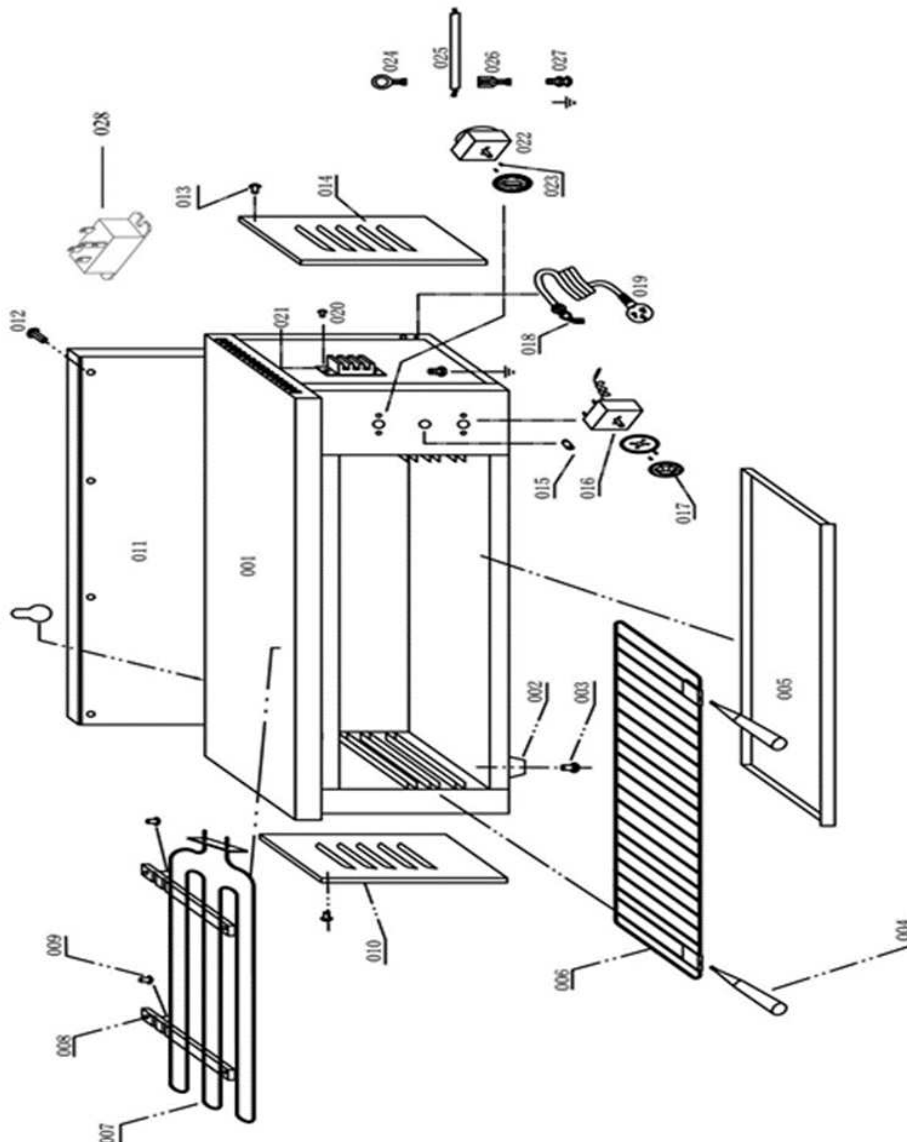
Salamander type 800

Date 04-05-2021


Revision #

1.0

Revision First Bill of Materials (BOM)



### Bill of materials (BOM)

 <b style="font-size: 24px; margin-left: 10px;">HENDI</b> <small style="color: green; margin-left: 10px;">Tools for Chefs</small> <b>Hendi B.V.</b> Steenoven 21 3911 TX Rhenen The Netherlands	<b>Batch #</b>	<b>Appliance part#</b>
	000000 until HK052719	<b>264300</b>
	<b>Description</b>	
<b>Salamander type 800</b>		


<b>Date</b>	04-05-2021	<b>Revision #</b>	1.0
<b>Revision</b>	First Bill of Materials (BOM)		

Item	Description	Part#	Quantity	Remark	Picture
1	Housing	n/a	1		
2	Feet	212073	4		
3	Screw	n/a	4		
4	Handle	904435	2		
5	Crumb tray	904473	1		
6	Grid	904497	1	635x395mm	
7	Element 3600W	901748	1		
8	Holder element	n/a	2		
9	Screw	n/a	4		
10	Left cover	n/a	1		
11	Back cover	n/a	1		
12	Screw	n/a	3		
13	Screw	n/a	4		
14	Right cover	n/a	1		
15	Indicator light	912003	1		
16	Energy regulator	201121	1		
17	Knob energy regulator with graduation plate	n/a	1	Knob updated to new design (943342)	
18	Cord inlet with retention	912201	1		
19	Powercord	912027	1		
20	Screw	n/a	2		
21	Terminal	n/a	1		
22	Knob timer with graduation plate	n/a	1	Knob updated to new design (943335)	
23	Timer	904404	1		
24	Ring terminals	n/a	8		
25	Wiring set	n/a	1		
26	Blade connectors	n/a	15		
27	Grounding screw	n/a	1		
28	Relay	904480	1		

n/a -> not available

nss -> not sold separately

**Circuit diagram**

 <b>HENDI</b> Tools for Chefs <b>Hendi B.V.</b> Steenoven 21 3911 TX Rhenen The Netherlands	<b>Batch #</b>	<b>Appliance part#</b>
	000000 until HK052719	<b>264300</b>
	<b>Description</b>	
	Salamander type 800	

<b>Date</b>	04-05-2021	<b>Revision #</b>	1.0
<b>Revision</b>	First Bill of Materials (BOM)		

