

Drawing



Tools for Chefs

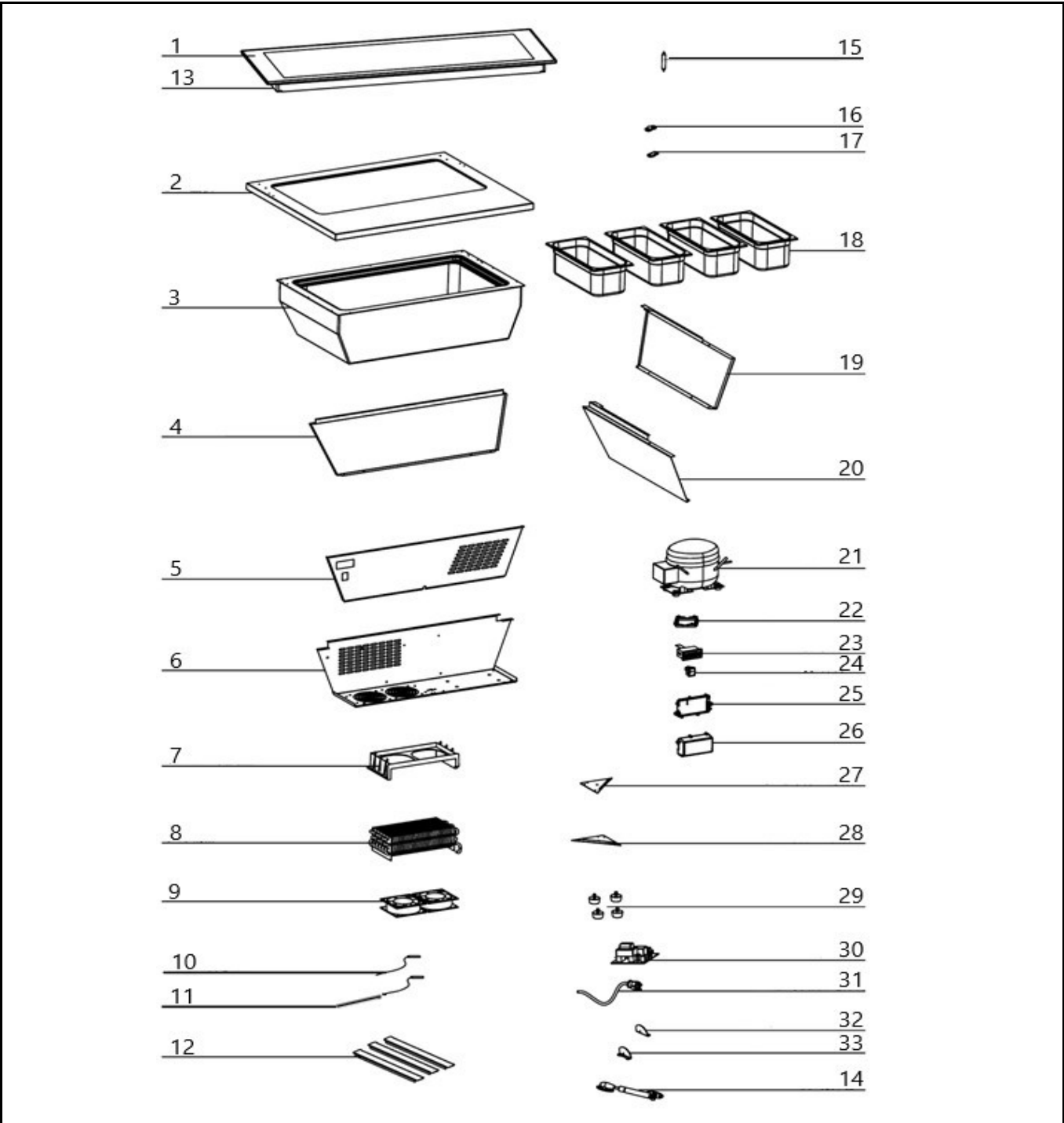
Hendi B.V.
 Steenoven 21
 3911 TX Rhenen
 The Netherlands

Batch #
 170581 and up


Appliance part#
 233689

Description
 Countertop freezer display 77L

Date	16-04-2020	Revision #	1.0
Revision	First Bill of Materials (BOM)		



Bill of materials (BOM)

 <b style="font-size: 24px; margin-left: 10px;">HENDI <small style="color: green; margin-left: 10px;">Tools for Chefs</small> Hendi B.V. Steenoven 21 3911 TX Rhenen The Netherlands	Batch #	Appliance part#
	170581 and up	233689
	Description	
	Countertop freezer display 77L	


Date	16-04-2020	Revision #	1.0
Revision	First Bill of Materials (BOM)		

Item	Description	Part#	Quantity	Remark	Picture
1	Glass lid	n/a	1		
2	Glass lid frame	n/a	1		
3	Evaporator insulation with container	n/a	1		
4	Housing panel (back)	n/a	1		
5	Housing panel (front)	n/a	1		
6	Mounting panel	n/a	1		
7	Condensor/Fan bracket	n/a	1		
8	Condensor	n/a	1		
9	Condensor fan	953624	2		
10	Temperature probe	n/a	1		
11	Defrost probe	n/a	1		
12	G/N bracket	953631	3		
13	Glass lid bracket	n/a	1		
14	Pneumatic hinge	953648	2		
15	Dryer filter	n/a	1		
16	Pull relief cover	n/a	1		
17	Pull relief	n/a	1		
18	G/N 1/4 Container	n/a	4	Sold seperately	
19	Housing panel (right side)	n/a	1		
20	Housing panel (left side)	n/a	1		
21	Compressor	953655	1	(WQ142Y)	
22	Digital controller bracket	n/a	1		
23	Digital controller	953662	1		
24	Switch	205426	1		
25	Main PCB housing base	n/a	1		
26	Main PCB housing cover	n/a	1		
27	Corner bracket (left)	n/a	1		
28	Corner bracket (right)	n/a	1		
29	Feet	953679	1		
30	Main PCB	948729	1		
31	Power cord	952412	1		
32	Hinge bracket (left)	953686	1		
33	Hinge bracket (right)	953693	1		

n/a -> not available

nss -> not sold separately

Circuit diagram

 HENDI Tools for Chefs Hendi B.V. Steenoven 21 3911 TX Rhenen The Netherlands	Batch #	Appliance part#
	170581 and up	233689
	Description	
	Countertop freezer display 77L	

Date	16-04-2020	Revision #	1.0
Revision	First Bill of Materials (BOM)		

