

Drawing

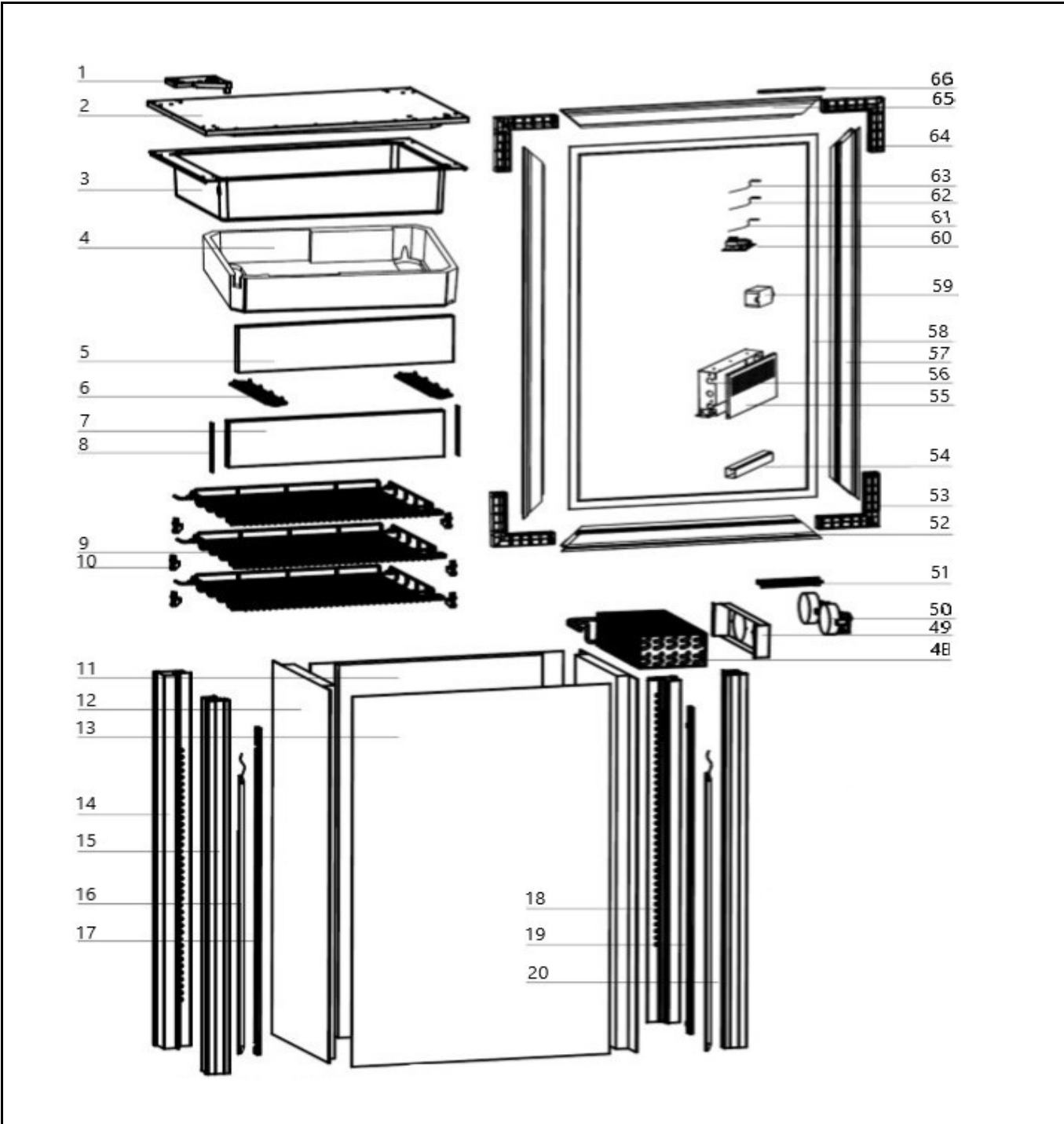


Tools for Chefs


Hendi B.V.  
 Steenoven 21  
 3911 TX Rhenen  
 The Netherlands

Batch #	Appliance part#
000000 and up	233283
Description	
Refrigerated display cabinet	

Date	15-04-2020	Revision #	1.0
Revision	First Bill of Materials (BOM)		



### Bill of materials (BOM)

 <p><b>Hendi B.V.</b>                  Steenoven 21                  3911 TX Rhenen                  The Netherlands</p> <p style="font-size: small; color: green;">Tools for Chefs</p>	<b>Batch #</b>	<b>Appliance part#</b>
	000000 and up	<b>233283</b>
	<b>Description</b>	
	Refrigerated display cabinet	

<b>Date</b>	15-04-2020	<b>Revision #</b>	1.0
<b>Revision</b>	First Bill of Materials (BOM)		

Item	Description	Part#	Quantity	Remark	Picture
1	Door hinge (top)	952658	1		
2	Housing panel (top)	n/a	1		
3	Evaporator housing	n/a	1		
4	Evaporator insulation	n/a	1		
5	Insulation board	n/a	1		
6	Ventilation grid	n/a	2		
7	Insulation board	n/a	1		
8	Bracket	n/a	2		
9	Shelf	952771	3		
10	Shelf clip	952665	6		
11	Glass panel (back)	n/a	1		
12	Glass panel (side)	n/a	2		
13	Glass panel (door)	nss	1	Available as 952795	
14	Housing pillar (back-left)	n/a	1		
15	Housing pillar (front-left)	n/a	1		
16	LED light	952672	2		
17	Housing pillar bracket (front-left)	n/a	1		
18	Housing pillar (back-right)	n/a	1		
19	Housing pillar bracket (front-right)	n/a	1		
20	Housing pillar (front-right)	n/a	1		
48	Evaporator	n/a	1		
49	Evaporator fan bracket	n/a	1		
50	Fan (evaporator)	952689	2		
51	Door hinge (bottom)	952696	1		
52	Door frame (bottom)	nss	1	Available as 952795	
53	Door frame bracket (bottom)	nss	2	Available as 952795	
54	PVC bracket	n/a	1		
55	Terminal box cover	n/a	1		
56	Terminal box	n/a	1		
57	Door frame (sides)	n/a	1		
58	Door gasket	952702	1		
59	LED controller	952382	1		
60	Main PCB	952719	1		
61	Hi-limiter probe	n/a	1		
62	Defrost probe	n/a	1		
63	Temperature probe	n/a	1		
64	Door frame bracket (top)	nss	2	Available as 952795	
65	Door frame (top)	nss	1	Available as 952795	
66	Door frame hinge bracket	nss	1	Available as 952795	
*	Door assembly	952795	1	Incl. item 13, 52, 53, 57, 64, 65 and 66	

n/a -> not available

nss -> not sold separately

Drawing



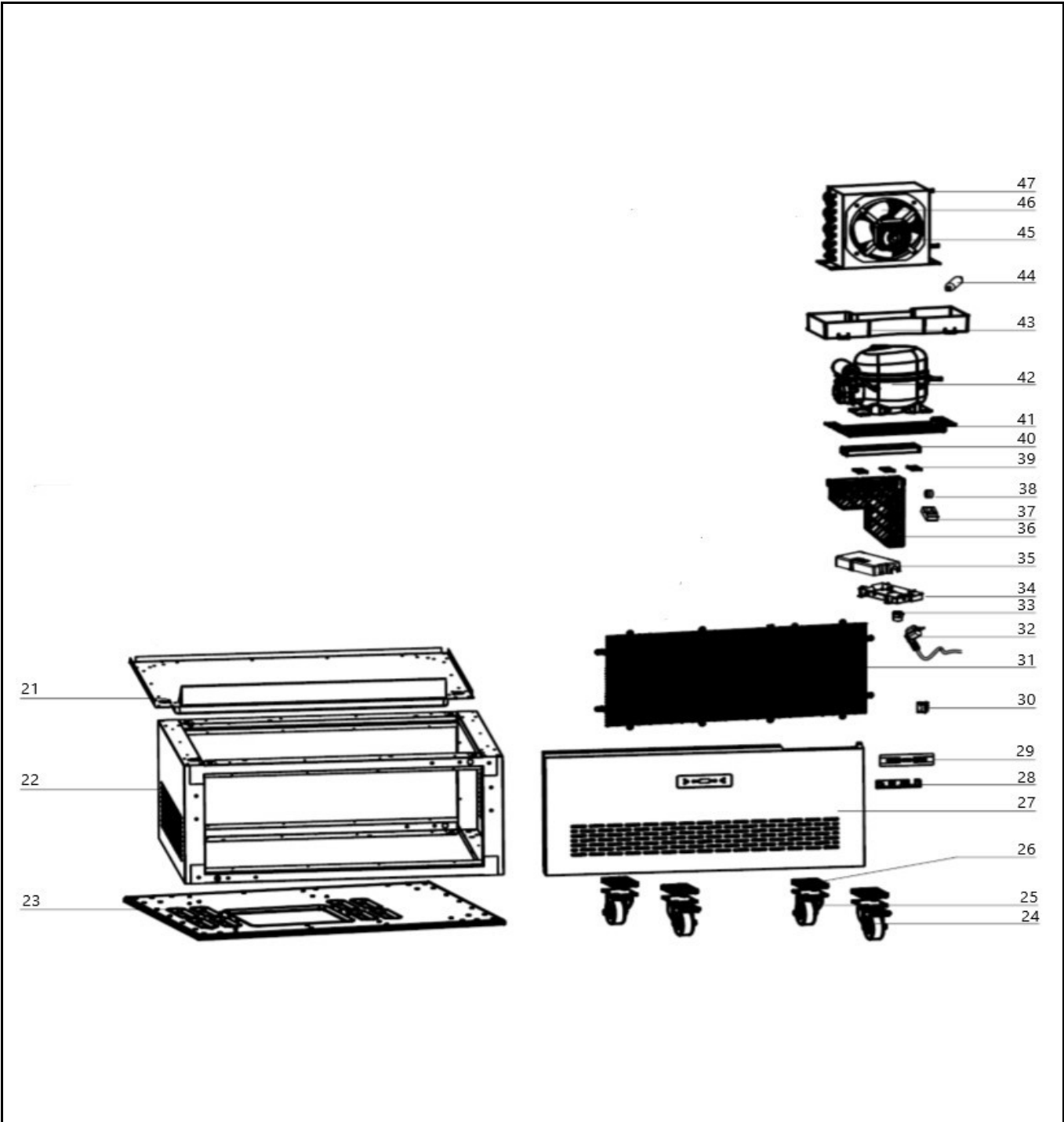
Tools for Chefs

Hendi B.V.  
 Steenoven 21  
 3911 TX Rhenen  
 The Netherlands


Batch #	Appliance part#
000000 and up	233283

Description
Refrigerated display cabinet

Date	15-04-2020	Revision #	1.0
Revision	First Bill of Materials (BOM)		



### Bill of materials (BOM)

 <b style="font-size: 24px; margin-left: 10px;">HENDI</b> <small style="color: green; margin-left: 10px;">Tools for Chefs</small> <b>Hendi B.V.</b> Steenoven 21 3911 TX Rhenen The Netherlands	<b>Batch #</b>	<b>Appliance part#</b>
	000000 and up	<b>233283</b>
	<b>Description</b>	
	<b>Refrigerated display cabinet</b>	

<b>Date</b>	15-04-2020	<b>Revision #</b>	1.0
<b>Revision</b>	First Bill of Materials (BOM)		

Item	Description	Part#	Quantity	Remark	Picture
21	Housing panel	n/a	1		
22	Housing frame	n/a	1		
23	Housing panel (bottom)	n/a	1		
24	Wheel with brake	952726	4		
25	Wheel without brake	952733	4		
26	Wheel bracket	n/a	4		
27	Housing panel (front)	n/a	1		
28	Thermostat bracket	n/a	1		
29	Display sticker	952740	1		
30	Switch	952498	1		
31	Air intake filter	n/a	1		
32	Power cord	952412	1		
33	Pull relief	n/a	1		
34	Main PCB housing	n/a	1		
35	Main PCB housing cover	n/a	1		
36	Door frame bracket	n/a	1		
37	Door hinge bracket	n/a	1		
38	Door hinge plate	n/a	1		
39	Door hinge bracket	n/a	3		
40	Door hinge cover	n/a	1		
41	Compressor bracket	n/a	1		
42	Compressor	952757	1		
43	Drip tray	n/a	1		
44	Dryer filter	n/a	1		
45	Fan (condensor)	949221	1	Incl. item 46	
46	Fan blade (condensor)	nss	1		
47	Condensor	n/a	1		

n/a -> not available

nss -> not sold separately

**Circuit diagram**



**Hendi B.V.**  
 Steenoven 21  
 3911 TX Rhenen  
 The Netherlands

Tools for Chefs

**Batch #**  
 000000 and up

**Appliance part#**  
**233283**

**Description**  
 Refrigerated display cabinet

<b>Date</b>	15-04-2020	<b>Revision #</b>	1.0
<b>Revision</b>	First Bill of Materials (BOM)		

